

Product Description

The Media Converter complies with IEEE802.3, IEEE802.3u, IEEE802.3x Standards. It is designed to convert data signal between 10/100 Base-Tx and 10/100 Base-Fx fast Ethernet.

The 2 Wavelength WDM Converter is designed to fit into the fast growing optical fiber network deployment and adapts the emerging WDM technology and able to expand a copper based network up to 20KM through a single optical fiber and provide Bi-Directional.

The converter is equipped with one fiber optic connectors, two RJ-45 Jacks and one external power supply receptacle. Nine LED indicators are built-in for easy diagnosing and monitoring the status of power, UTP Link, UTP Activity, Fiber Link, Fiber Activity, Full duplex and data rates. It can be configured automatically for Full Duplex or Half Duplex operation.

It is compact, cost-effective, low dissipative, high reliable and stable. It can be used in standalone applications or Rack-Mounted applications where multiple media converter can be inserted into a rack-mount chassis (Up 10 units) and allowing all the converters to be powered by a single internal power supply.

Order Information

Table 1: Order Information

Type	Fiber Type	Wavelength(nm)	Fiber Length(Km)
NMC3312	SM	1310T/1550R	20
NMC3313	SM	1550T/1310R	20



Product Features

- Meets IEEE802.3u 10/100BaseTX and 10/100BaseFX standards
- Plug-and-Play installation
- 2 Wavelength WDM Technology
- High quality and excellent reliability
- Full-duplex 10/100Mbps Ethernet operation up to 20Km
- Two RJ45 ports for installation easily
- 9 diagnostic and monitoring LEDs for the status of power, FX link/ACT, TX link/ACT
- Half-duplex and full-duplex identify automatically
- Stand-alone with external power adapter

Contact us now for more information:

SHENZHEN ATC TECHNOLOGY CO., LTD

Room 803 Block B Building 4 Tian'an Cyber Park, Longgang District Shenzhen China 518172.

Tel:+86-755-8345 3318/83452531 Fax:+86-755-2899 8985

Email:sales@szatc.com

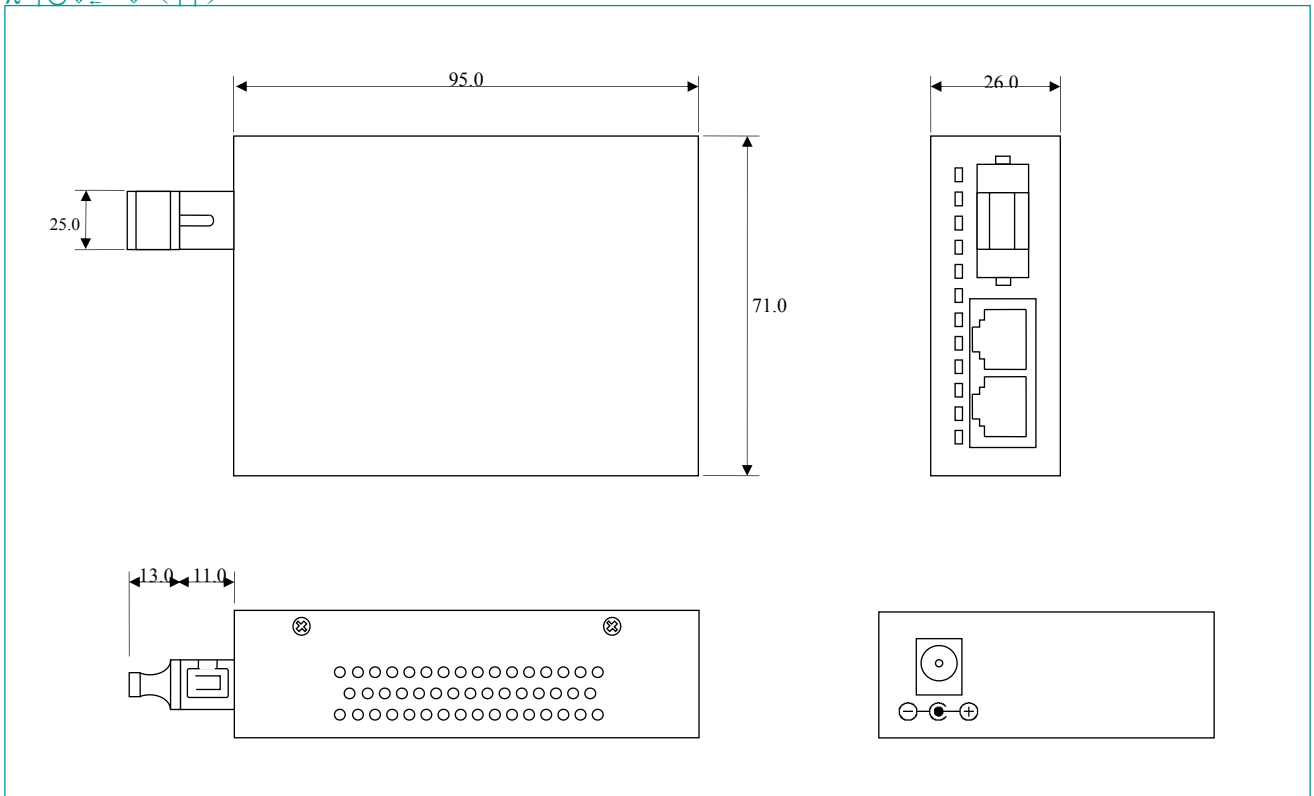
Webstie:www.szatc.com

Specifications

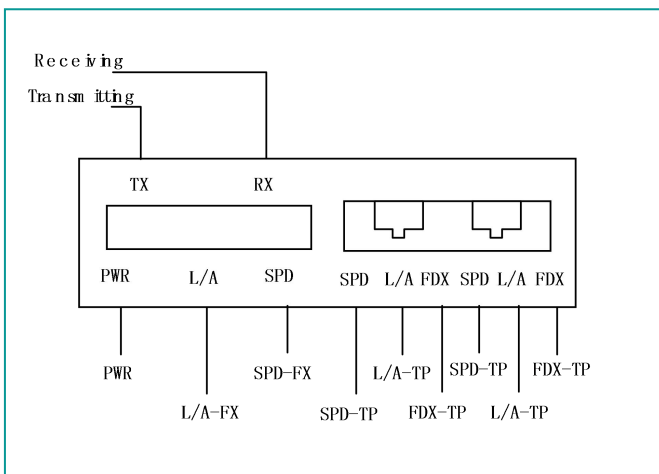
Parameter	Min.	Typ.	Max.	Units
Standard	IEEE802.3 、 IEEE802.3u 、 IEEE802.3x			
Data Rate			100	Mbps
Operating Wavelength	1280 1480	1310 1550	1335 1580	nm
Fiber Interface	SC/PC Fiber Connector, 9/125um Single Mode Fiber			
RJ45 Port	UTP-100-ohm Cat.5 cable			
Max Segment Length (UTP)	0		120	m
Max Segment Length (Fiber)				
NMC3312 (1310nm)		20 (SM Fiber)		Km
NMC3313 (1550nm)		20 (SM Fiber)		
External Power Supply	AC 86~260V 50~60Hz ;			
AC-DC Power Adaptor	+5V DC, 1A			
Operating Temperature	0 -20		70 (Business Level) 85 (Industry Level)	°C
Storage Temperature	-40		85	°C
Humidity	5%~90% (Non-condensing)			
EMI and Safety	CE, FCC Class A			
Dimensions	95 mm (L)*71 mm (W) *26 mm (H)			

Outline Drawing

入字⊙◆_⊙◆ (开)



Front Panel



LED	Color	Function
L/A-FX	Green	Lit when fiber connection is good Blink when fiber data is active
SPD-FX	Green	Blink when fiber data is active
L/A-TP	Green	Lit when TP connection is good, Blink when TP data is active
SPD-TP	Green	Lit,100Mbps; Non-light 10Mbps
FDX	Green	Lit when full-duplex mode is active
PWR	Green	Lit when +5V power is coming up

Note: Specifications subject to change without notice.